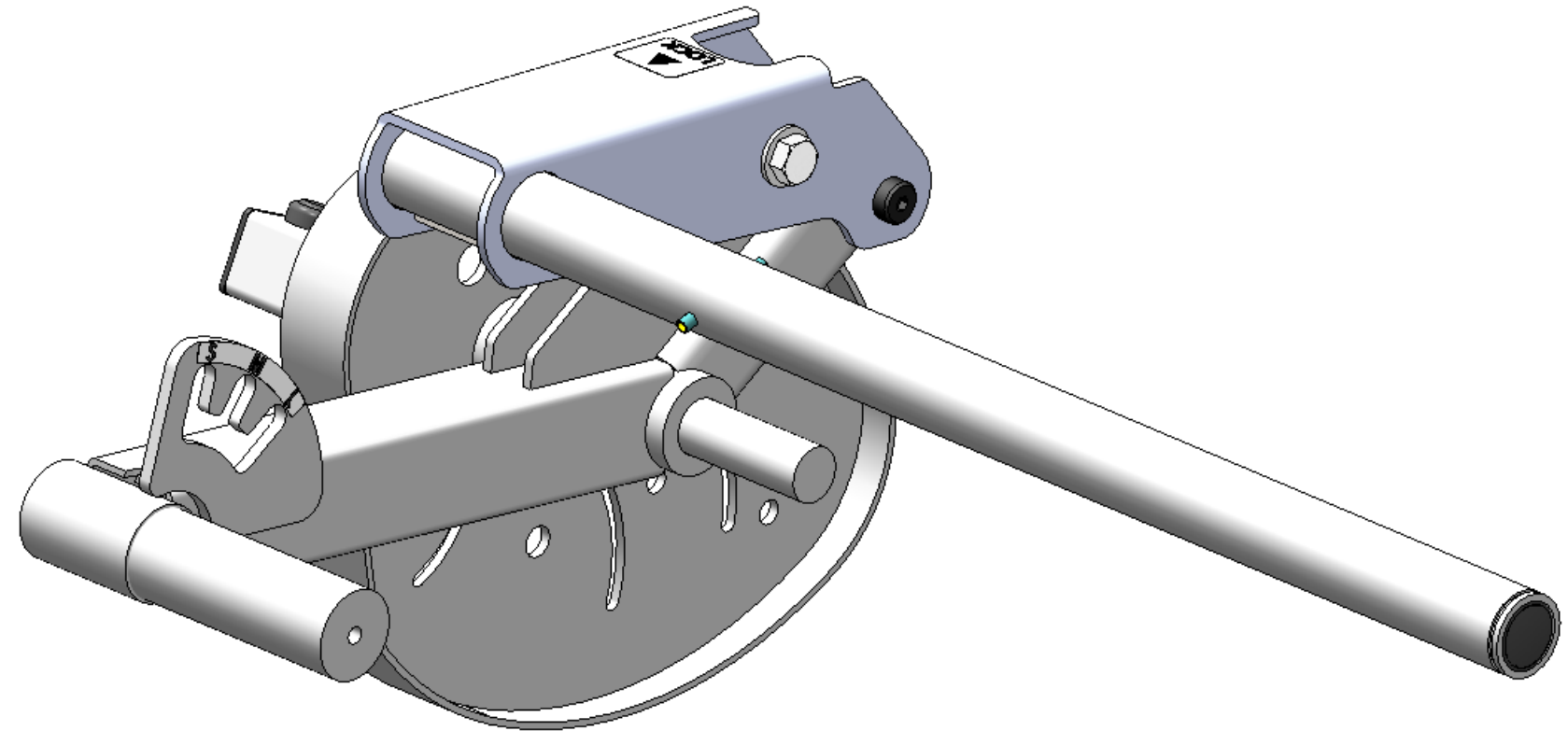




Red: PAINTED ITEMS
Blue: KITS

1. All labeled components are to be assembled before shipment unless otherwise noted.
2. All bearings are to be pressed in with force applied to outer ring only.
3. All hardware to be torqued to specs listed in chart below.
4. Special notes if any are shown below.

PART NO.	Default/QTY	DESCRIPTION
01-1105	1	3/8 -16 UNC x 1 1/2 Bolt
01-1362	1	1/2 -13 UNC x 3 1/2 Bolt
01-3120	1	SHSS 1/2" x 3"
03-1035	1	3/8" Lock Nut
03-1055	1	1/2" Lock Nut
04-5206	1	WASHER, FLAT, 3/8" SAE
04-5207	1	WASHER, FLAT, 1/2" SAE
05-1040	2	BUSHING BRASS 1/2 X 3/4 X 3/4
07-7041	1	1/4 X 2 ROLL PIN
09-2020	1	1 1/2 SQ 11 GA FRAME PLUG
09-3078	2	BLACK HOLE PLUG MP-1093
09-4092	2	BUMPER
12-1142	1	LEG CURL MA DECAL
12-1704	1	S8LC LOCK DECAL
56-0583	1	SLEEVE NYON 1" I.D.
MA627B	1	MOVEMENT ARM WELDMENT
MA669	1	KNEE PAD MOUNT RIGHT



S3/S5/S9 LC Movement Arm Repair for kit # 95-0589
RELEASE UPGRADE KIT

95-0608

Bolt Torque Specifications		
Size	Grade 5	Grade 8
	Torque (ft-lbs)	Torque (ft-lbs)
1/4-20	8	12
1/4-28	10	14
5/16-18	17	25
3/8-16	30	45
7/16-14	50	70
1/2-13	75	110
1/2-20	90	120
5/8-11	150	220
5/8-18	180	240

Customer Service & Parts 800/ 235-2233
 General Parts Requests: parts@medfitsys.com
 Field Service Requests: servicerequest@medfitsys.com
 GSA Parts Requests: gsa@medfitsys.com
 Med-Fit Systems, Inc. 800/ 831-7665

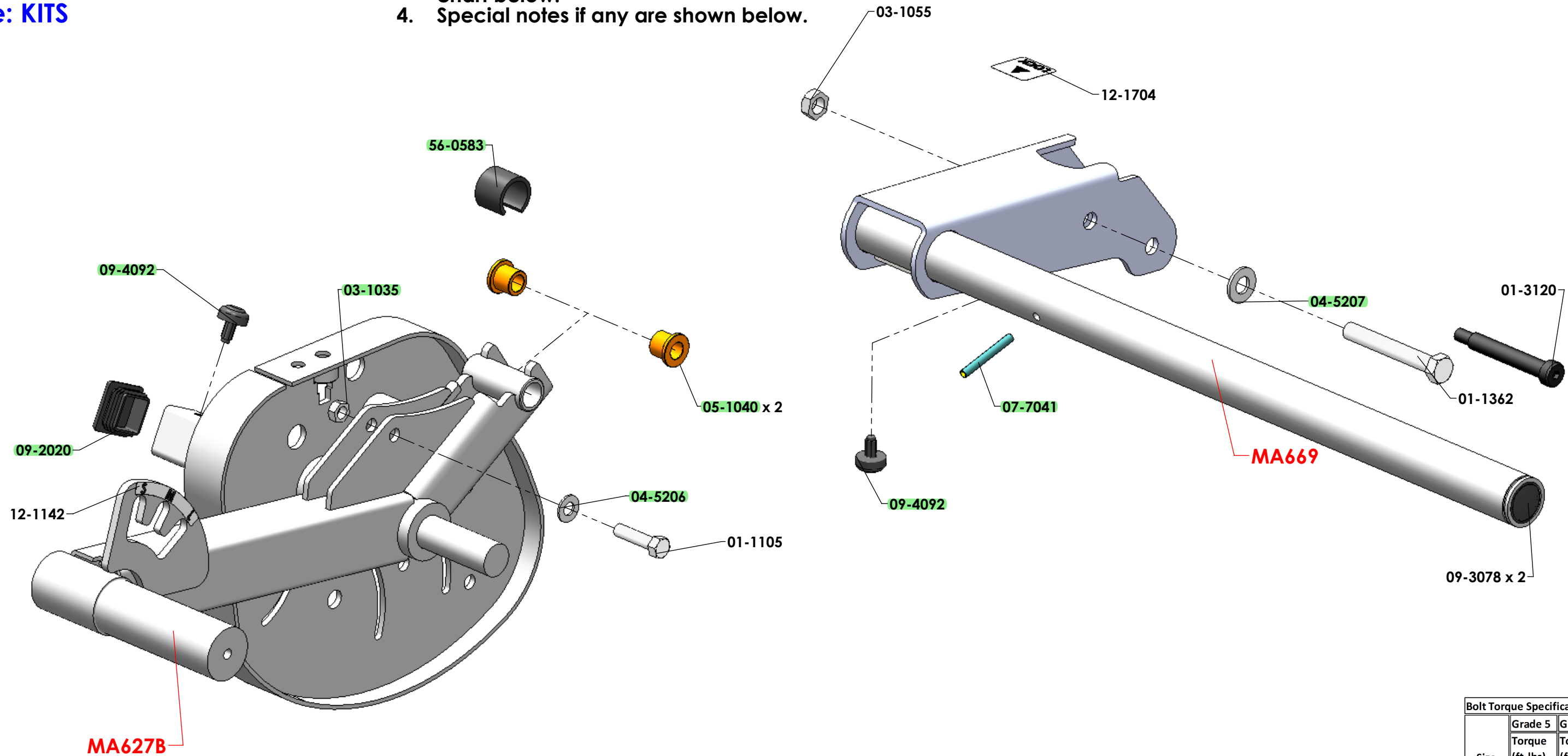
www.medfitsystems.com

REV A



Red: PAINTED ITEMS
Blue: KITS

1. All labeled components are to be assembled before shipment unless otherwise noted.
2. All bearings are to be pressed in with force applied to outer ring only.
3. All hardware to be torqued to specs listed in chart below.
4. Special notes if any are shown below.



S3/S5/S9 LC Movement Arm Repair for kit # 95-0589
RELEASE UPGRADE KIT
95-0608

Bolt Torque Specifications		
Size	Grade 5	Grade 8
	Torque (ft-lbs)	Torque (ft-lbs)
1/4-20	8	12
1/4-28	10	14
5/16-18	17	25
3/8-16	30	45
7/16-14	50	70
1/2-13	75	110
1/2-20	90	120
5/8-11	150	220
5/8-18	180	240

Customer Service & Parts 800/ 235-2233
 General Parts Requests: parts@medfitsys.com
 Field Service Requests: servicerequest@medfitsys.com
 GSA Parts Requests: gsa@medfitsys.com
 Med-Fit Systems, Inc. 800/ 831-7665

www.medfitsystems.com

REV A